

# Harsh Environment Resistant 12.1" Fanless POS with Intel® Bay Trail Platform

The X-POS 725 is powered by state of the art Intel® Bay Trail platform and featured variety I/O interface for industrial applications

## X-POS 725R

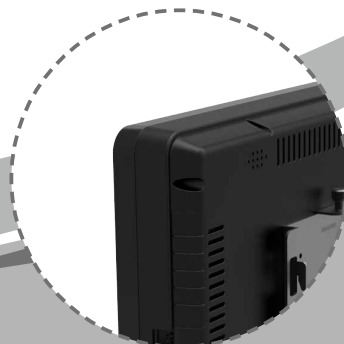


### FEATURES

- Incorporated Intel® leading edge Bay Trail Quad Core processor
- Powerful performance but low power consumption under fanless design
- Display port supports active converter cable to VGA, DVI and HDMI output
- Front panel IP55 dust/water resistant
- Great graphic performance



Support VESA Mounting



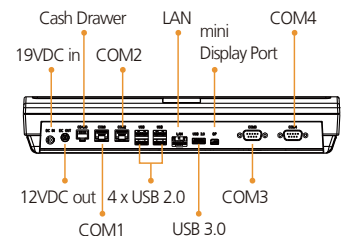
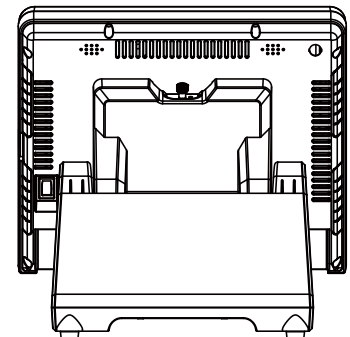
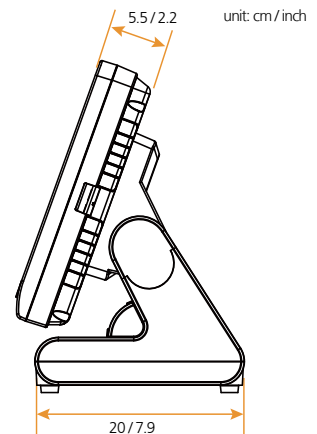
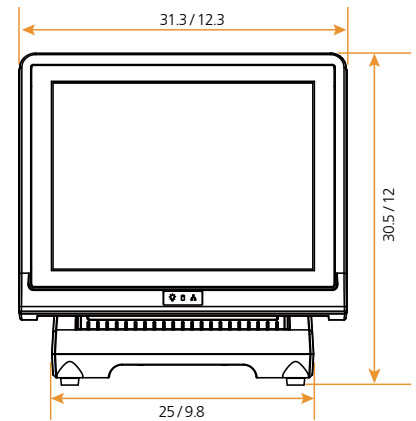
Ultra compact size for smart space management



Robust aluminum housing

## Specifications

<b>Model Name</b>	X-POS 725R	
<b>Main Board</b>	CPU	Intel® Bay Trail-Mobile/Desktop SoC Processor: - Celeron® N2930 (4 cores, up to 2.16 GHz, TDP 7.5 Watt) - Celeron® J1900 (4 cores, up to 2.42 GHz, TDP 10 Watt)
	System Memory	SO-DIMM DDR3L 1067/1333MHz x 1, Max. 8GB
	Graphic	Intel® HD Graphics
	Cooling Solution	Fan-less
	BIOS	Phoenix uEFI BIOS
	O.S. support	Windows Embedded POSReady 7 Windows 7 Professional for Embedded Systems Windows Embedded 8.1 Industry Windows 10 Linux kernel 3.0+ & associated distributions Android 4.4.4 Compliant OS
<b>Display</b>	Size	12" TFT LCD Panel
	Brightness	500 nits
	Resolution	1024 x 768
	Panel backlight type	LED
	Front panel type	Bezel-Free
	Tilt Angle	17° ~ 67°
<b>Storage</b>	Interface	SATA2 (3.0Gb/s) x 2
	HDD or SSD	2.5" SATA HDD / SSD x 1 mSATA slot x 1
<b>I/O Ports</b>	Serial	Serial Port x 6, DB-9 Pin9 with RI/5V/12V selectable by BIOS. COM 1: RS-232, RJ-50 with convert to DB-9 cable COM 2: RS-232, RJ-50 with convert to DB-9 cable COM 3: RS-232/422/485, DB-9 COM 4: RS-232, DB-9, pin9 with RI/5V/12V selectable by BIOS (can be replace by VGA) COM 5: RS-232, Internal reserved for MSR COM 6: RS-232, Internal reserved for 2x20 VFD Customer Display
	USB	USB 3.0 x 1 USB 2.0 x 4
	LAN	Gigabit Ethernet by RJ-45 x 1, support Wake on LAN
	Cash Drawer	RJ-12 x 1, support 12V / 24V DC cash drawer
	Audio	2W Speaker x 2
	VGA	Optional DB15 x 1 for replace COM4, with 0/12VDC selectable by BIOS.
	Expansion Slot	Half size Mini PCIe x 1
	DP / HDMI	Mini DisplayPort x 1 (supporting active converter cable to VGA, DVI, HDMI)
	DC-in	19VDC input, 2-pins radio jack x 1
	DC-out	12VDC/1A output, 2-pins radio jack x 1
	Expansion Slot	half size Mini PCIe x 1
	Connectivity	Wireless LAN module, half size mini PCIe type (Optional)
<b>Others</b>	Mounting mechanism	Support VESA Mount
	Power Supply	External adapter, 19VDC input, 65 / 90 Watt optional
	Color	Black
	Material	Plastic / Aluminum
	Certifications	FCC / CE / WEEE / RoHS
	Dimension ( WxDxH )	31.5 x 20 x 30.5 cm (12.3 x 7.9 x 12 inch)
	Net Weight / Gross Weight	4.7 kg, 14.4 lb / 6.7 kg, 14.9 lb
	Operating Temperature	0°C ~ 40°C
<b>Environmental</b>	Storage Temperature	-20~ 60°C
	Humidity	20% to 85% RH (non condensing)



## Ordering information

### Main Unit

Part No.	Description
XPOS75R-2B-2930	Fanless Touch POS Terminal w/ 12" TFT LCD, Intel® Celeron® N2930 2.16 GHz
XPOS75R-2B-1900	Fanless Touch POS Terminal w/ 12" TFT LCD, Intel® Celeron® J1900 2.42 GHz

### Optional Accessories

Part No.	Description
20900025	OS License: Windows® 7 Professional for Embedded Systems, English Version
20900028	OS License: Windows® Embedded Standard 7, English Version
20900029	OS License: Windows® Embedded POSReady 7, English Version
20900002	OS License: Windows® Embedded for Point of Service (WEPOS), English Version
20900033	OS License: Windows® Embedded 8.1 Industr Pro Retail

Specifications are subject to change without notice. Issue Date: 2015 / 10

# Ebn

**Ebn Technology Corp.**

10F, No.90, Sec.1, Xintai 5th Rd., Xizhi Dist.,  
New Taipei City 221, Taiwan (R.O.C.)

TEL: +886-2-2696 9292

FAX: +886-2-2696 9393

E-mail: sales@ebn.com.tw

www.ebn.com.tw